

CROSSBAR

Youth Soccer Goal Installation Notes

SG612

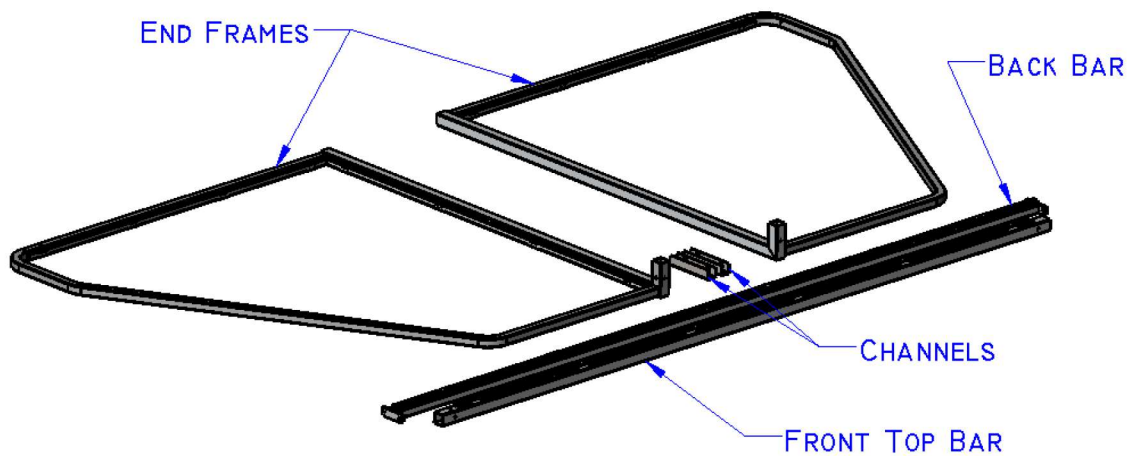


Figure 1

1. Begin by laying out the front top bar to the end frames. Place the end frames far enough apart to fit the top crossbar between them (Fig. 1).

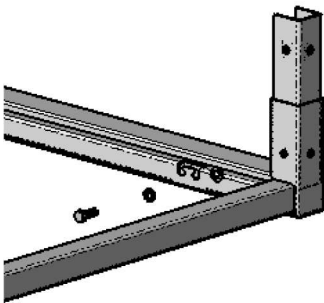


Figure 2A

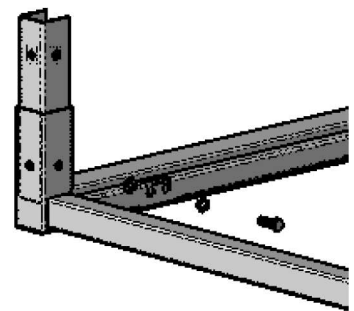


Figure 2B

2. Using (2) 3/8"–16 x 1" bolts, (2) 3/8" lock washers, (2) 3/8" Flat washers, attach the Top Bar channel to the inside of each left and right end frame (Figs. 2A & 2B). **Note: Do not tighten hardware until all bolts are in place.**

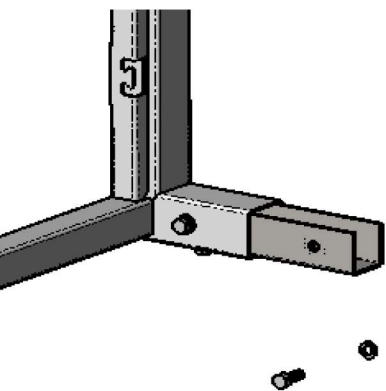


Figure 3A

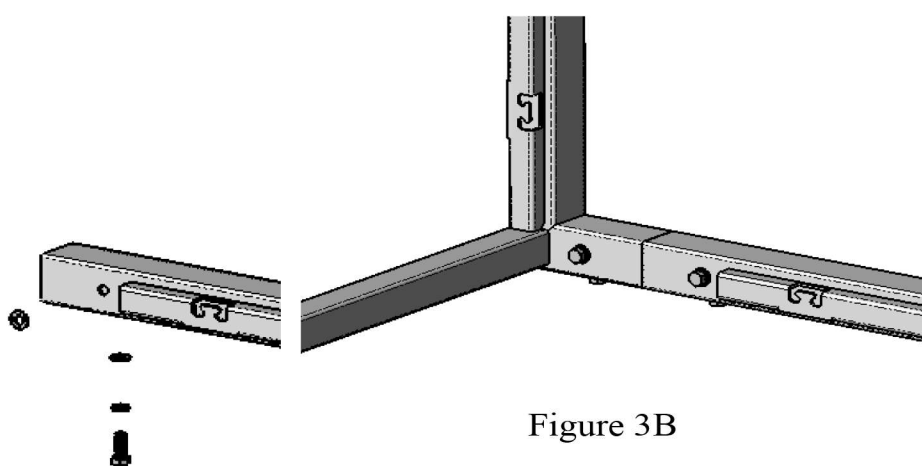


Figure 3B

3. Connect the end frames to the crossbar by sliding the crossbar over the channel (Fig. 3A), make sure all net clips are facing toward the inside of the goal. Using (2) 3/8"–16 x 1" bolts, (2) 3/8" lock washers, (2) 3/8" Flat washers, secure the crossbar to each end frame (Fig. 3B). All bolts can now be tightened.

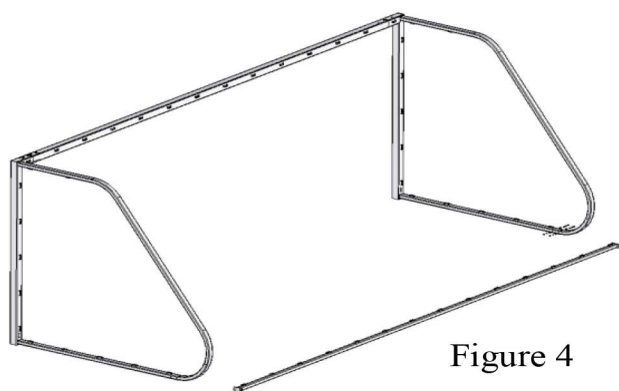
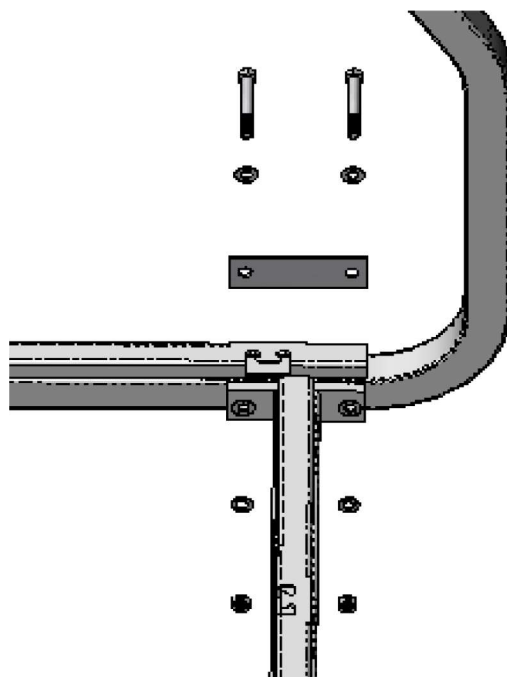


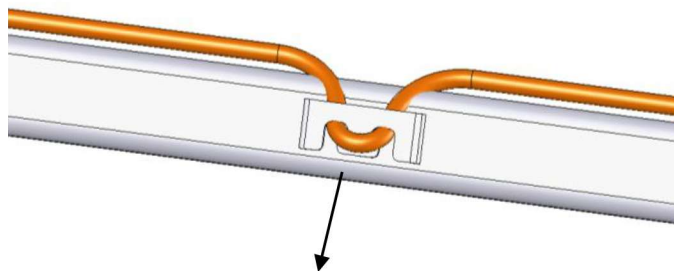
Figure 4

4. Before attaching the Ground Bar to the goal, carefully flip the goal into the proper position by lifting up on both ends of the crossbar. Lay the Ground Bar in between the two end frames (Fig. 4).

5. Attach the Ground Bar to the end frames with (2) 3/8"-16 x 3" bolts, (4) 3/8" flat washers, (2) 3/8" lock washers, (2) 3/8"-16 hex nuts & end plates per End Frame. Verify the net clips are facing towards the inside of the goal. After attaching the ground bar, tighten all hardware (Fig. 5).



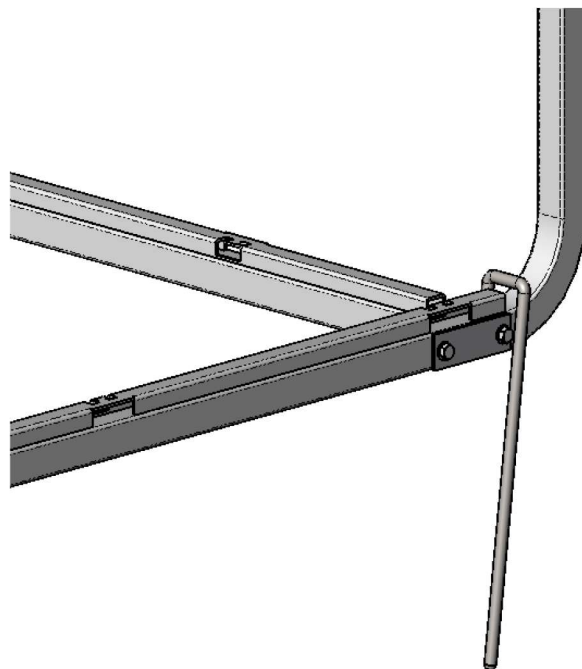
6. With the goal structure now fully assembled, the next step is to attach the net to the goal. The top corner of the soccer goal is where the Crossbar meets the Upright. This net is designed to go on the outside of the soccer goal frame. On either side, begin by attaching the net to the clips along the goal. The net is attached by first pushing the outer binding through the clip, then securing in the groove (Fig. 6).



Move along the Crossbar attaching the net to every clip. Next, work down both uprights and the back around the End Frame. Finish by attaching the net to the Ground Bar.

7. THIS STEP IS FOR NATURAL GRASS SYSTEMS ONLY. The final step is to anchor the goal to the ground preventing it from moving and/or tipping over. Put the goal into position and install the anchoring system for natural grass. This includes (2) anchoring pins. Drive the anchoring pin over the back of the end frame and into the ground/natural grass (Fig. 7).

****FOR IN-FILL TURF ANCHORING, PLEASE ASK US ABOUT OUR PATENT PENDING SG2S™ SOCCER GOAL SAFETY SYSTEM**



- Standard Installation Complete -

Soccer Goal Safety Tips

- * Securely anchor, with pins and/or counterweight movable soccer goals at ALL times.
- * Anchor or chain goals to themselves in a folded down position, or to nearby fence post, dugout, or any other sturdy fixture when not in use. If this is not practical, store movable soccer goals in a place where children will not have access to them.
- * Remove nets when goals are not in use.
- * Check for structural integrity and secure connecting hardware before every use. Replace damaged or missing parts or fasteners immediately.
- * NEVER allow anyone to climb on the net or goal framework.
- * Ensure safety/warning labels are clearly visible (placed under the crossbar and on the sides of the front-posts at eye level).
- * Fully disassemble goals for seasonal storage.
- * Exercise extreme caution and provide adequate manpower to moving goals. Only authorized and properly trained personnel should move soccer goals.
- * Always instruct players regarding the safe handling of and the potential dangers associated with movable soccer goals.
- * Movable soccer goals should only be used on LEVEL (flat) fields.

REPLACEMENT PARTS

Contact us at 1-401-651-7702 for replacement parts.



Crossbar, LLC
3140 W 8th Ave
Denver, CO 80204
www.crossbar.life
hello@crossbar.life