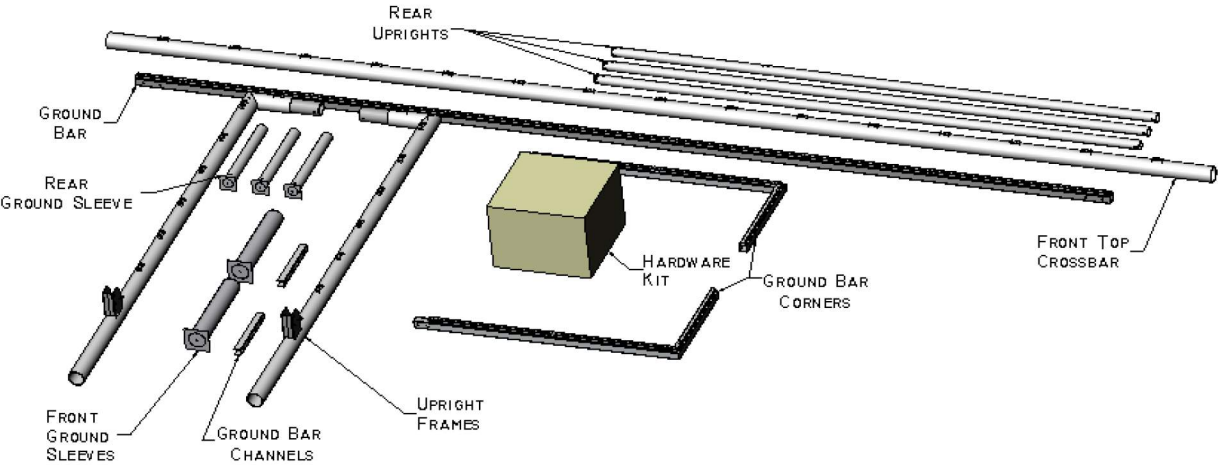




International Soccer Goal with Front Post Ground Sleeves Installation Notes

SG824RINT (SG4950INT)



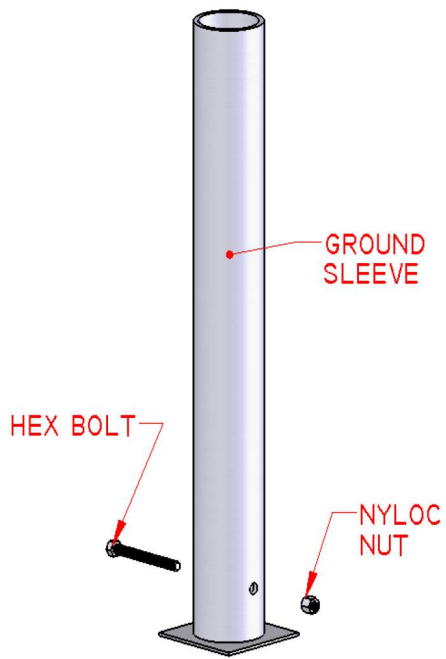


Figure 2

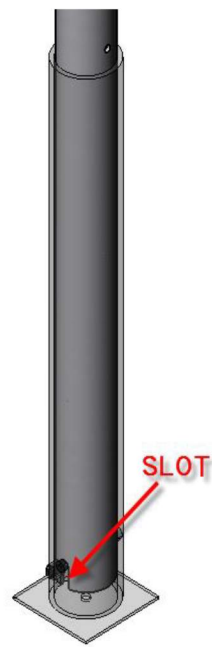


Figure 3



Figure 4

2. Center the ground sleeve in the form and secure it in a plumb and level position. The top of the ground sleeve should be flush with the finish grade.

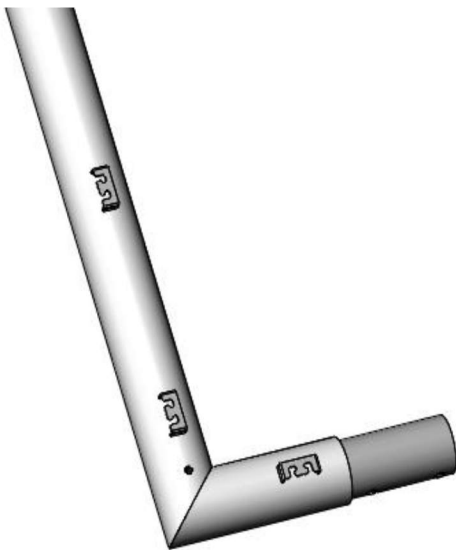


Figure 5A

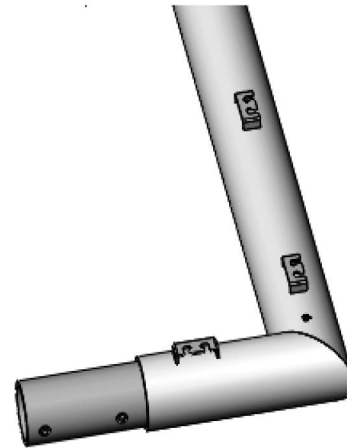


Figure 5B

3. After unwrapping and laying out all parts. Begin by assembling the front top bar to the end upright frames. Lay out the front top bar along with the right and left end frames, making sure that the clips are facing out (Fig. 5).

4. Using (2) 3/8" – 16 x 1" serrated flange Hex Bolt, attach the Top Bar Channel to the inside of both ends of the Right and Left End Frames (Fig. 5). **Note: Do not tighten hardware until all bolts are in place.**

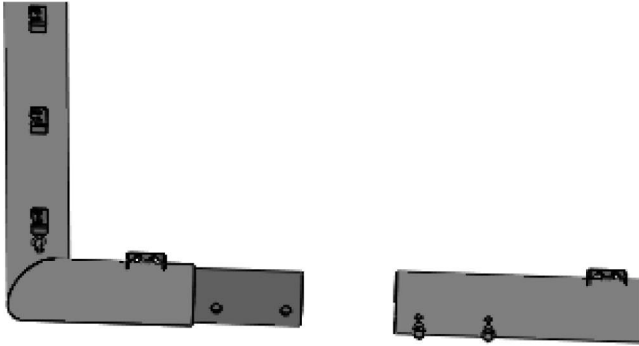


Figure 6A

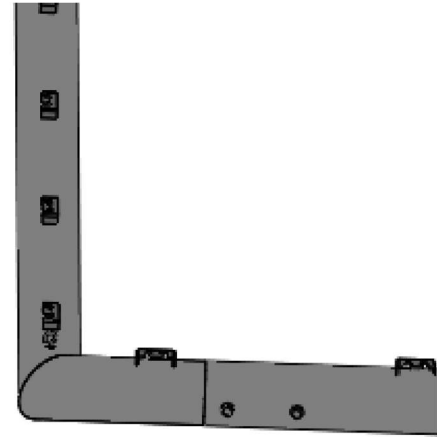


Figure 6B

5. Connect the end frames to the crossbar by sliding the crossbar over the channel (Fig. 6A). Make sure all net clips are facing toward the outside of the goal. Using (2) 3/8" – 16 x 1" serrated flange Hex Bolt, secure the Crossbar to each end frame (Fig. 6). All Bolts can now be tightened.

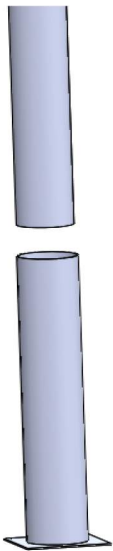


Figure 8A

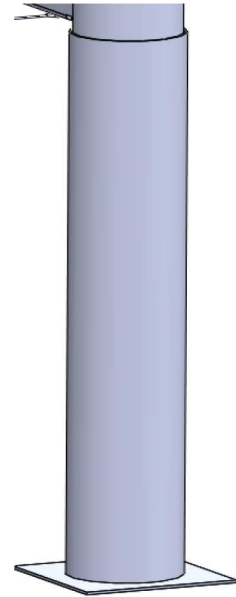


Figure 8B

6. Lower the soccer frame into the ground sleeves as shown (Fig 8).

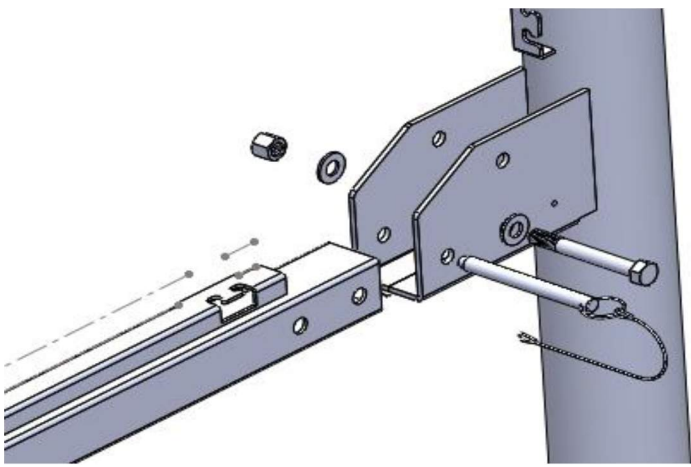


Figure 9A

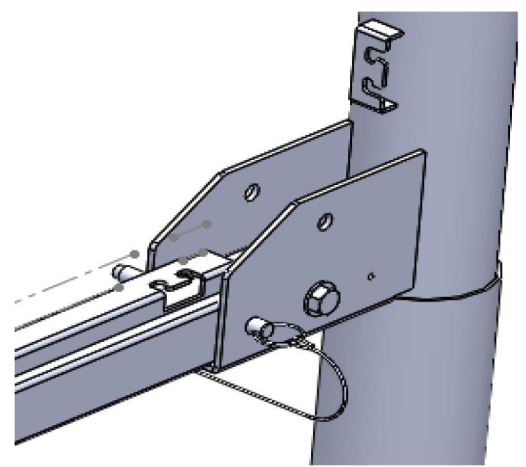


Figure 9B

7. Attach the ground bar to the uprights using (1) $\frac{1}{2}$ "-13 x 4" bolts, (2) $\frac{1}{2}$ " flat washers, (2) $\frac{1}{2}$ " flat nylon washers, and (2) $\frac{1}{2}$ " Hex Nuts, for each upright as shown (Fig 9).

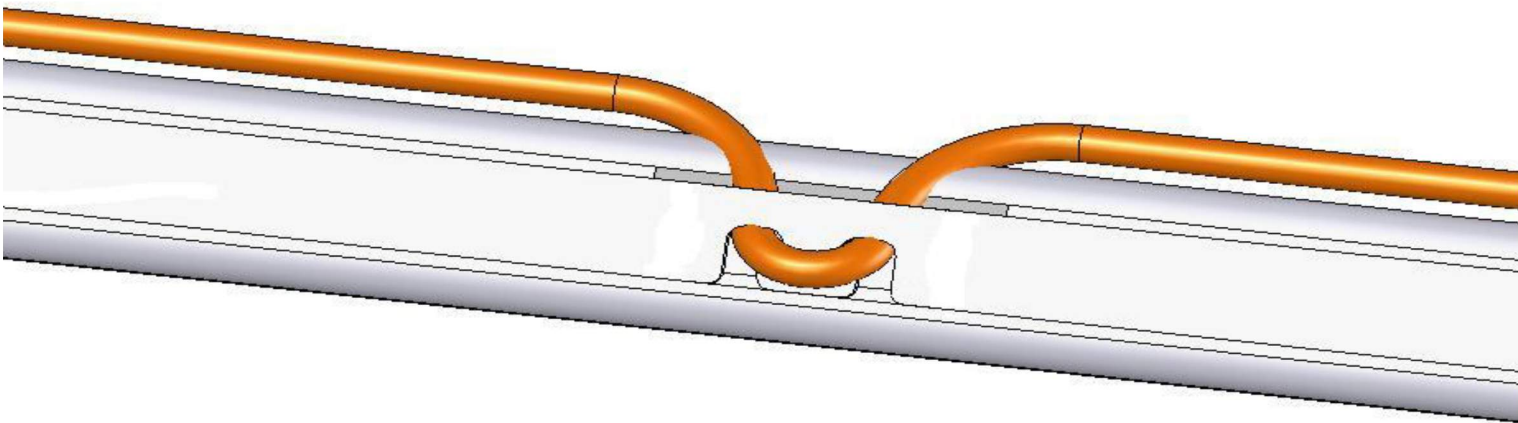


Figure 10

8. With the goal frame now fully assembled, attach the net to the goal. The top corner of the soccer goal is where the Crossbar meets the Upright. On either side, begin by attaching the net to the clips along the goal. The net is attached by first pushing the outer binding through the clip, then securing in the groove (Fig. 10). Move along the Crossbar attaching the net to every clip. Next, work down both uprights and the back around the Ground Bar.

TETHER
MOUNT

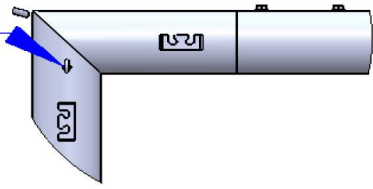


Figure 11A

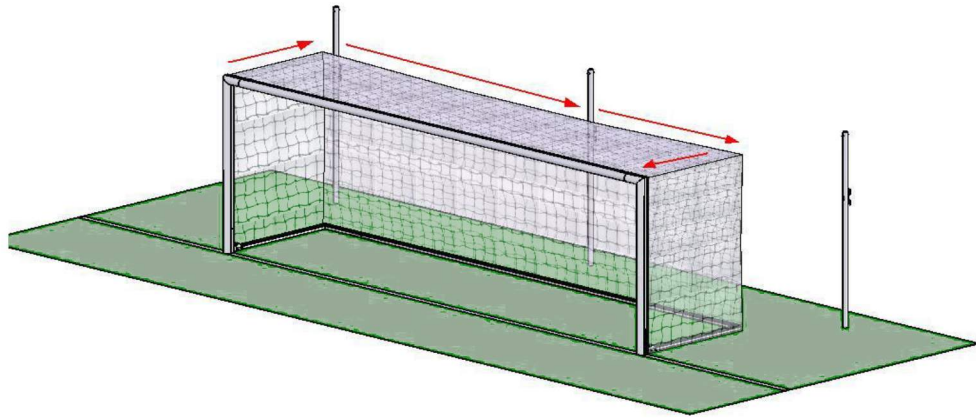
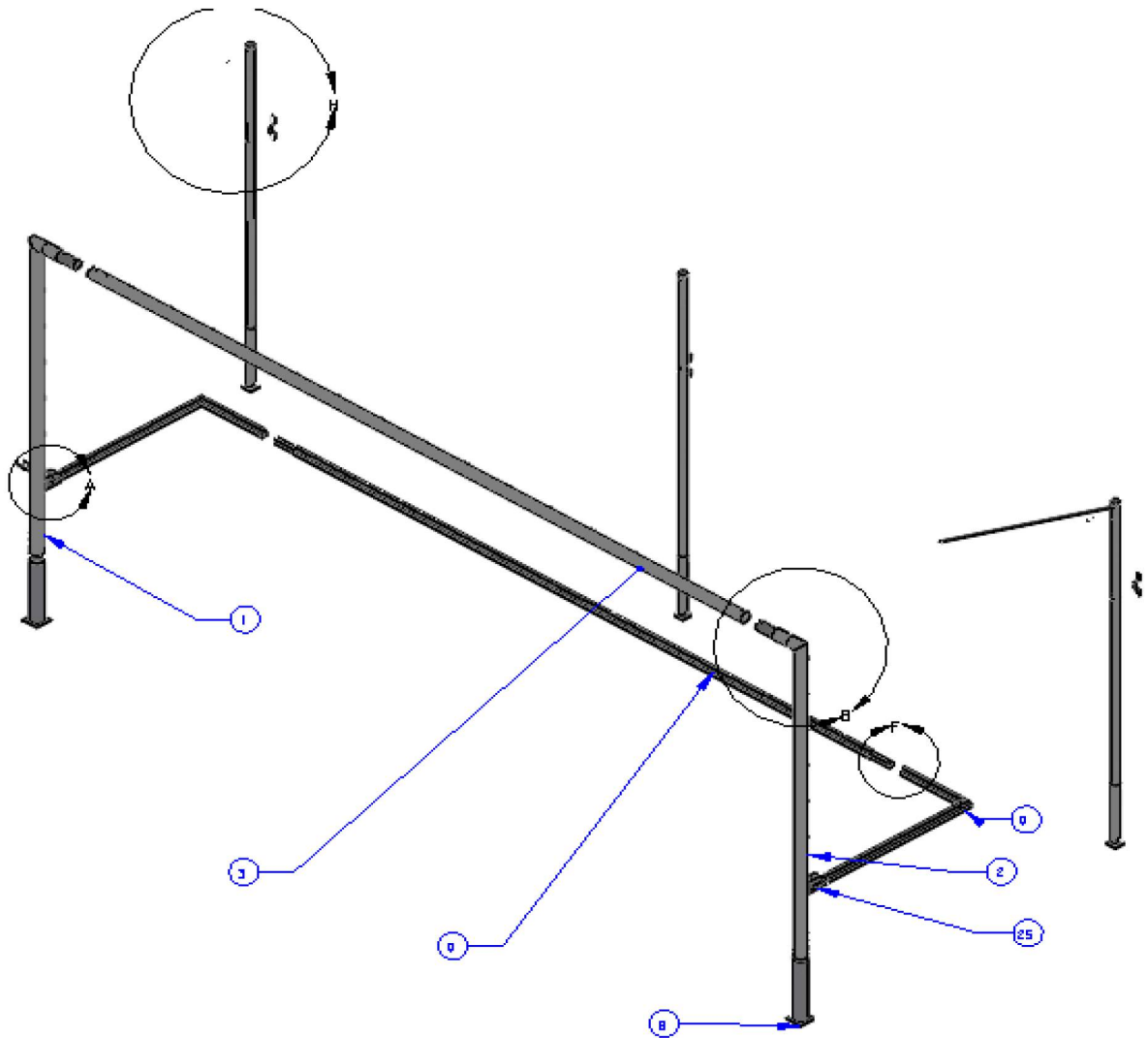
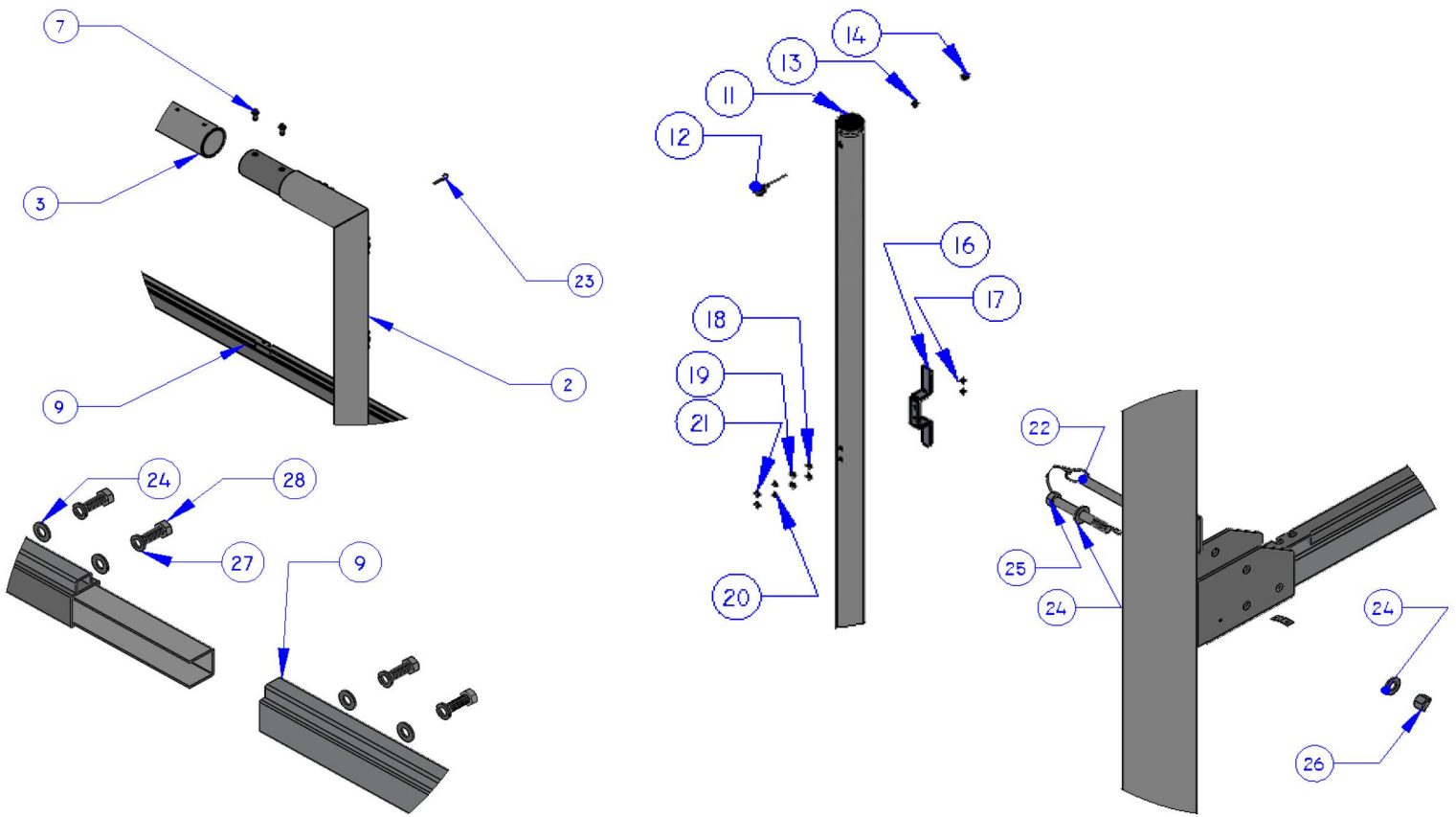


Figure 11B

9. Included in the hardware kit is a 34' tether that hooks to the upright and runs around the top of the net. The tether is to be woven through the binding of the net as shown (Fig. 11).





ITEM NO.	QTY.	PART NO.	WEIGHT	MATERIAL	DESCRIPTION
1	1	SG4950INT-LEFTENDFRAME	39.42	PER BOM	SG4950INT-LEFT END FRAME
2	1	SG4950INT-RIGHTENDFRAME	39.42	PER BOM	SG4950INT-RIGHT END FRAME
3	1	SG4950INT-CROSSBAR	71.6	PER BOM	SG4950INT-CROSSBAR
6	1	SG37105		ORANGE NYLON	SOCCER GOAL NET
7	4	100_HWH3_8_16XI_SER_CS_BP	0.06	STAINLESS STEEL	3/8-16 SERRATED FLANGE HEX BOLT
8	2	SG4950INT-GS	3.493	ALUM.	SLEEVE, GROUND
9	1	4950INT-GROUNDBAR	53.03	ALUM.	GROUND BAR
10	3	GS-02-24	2.146	ALUMINUM	SLEEVE, GROUND
11	3	4950INT-UPRIGHT	14.07	ALUMINUM	POLE, UPRIGHT
12	3	100-EYE5/16-18X3-STL-CE	0.08	ZINC-PLATED STEEL	BOLT, 5/16-18 CLOSED EYE X 3"
13	3	107-HXN5_16-18-SS	0.012	STAINLESS STEEL	5/16-18 S.S. HEX NUT
14	3	107-HXN5_16-18ACORN-HC-SS	0.022	STAINLESS STEEL	NUT, 5/16-18 S.S. HIGH CROWN ACORN
15	1	TETHER-01			
16	3	ROPE CLEAT	0.079	3/16" X 1"	ROPE CLEAT
17	6	FHS1/4-20X3-SL-SS	0.037	STAINLESS STEEL	1/4-20 S.S. F.H. MACHINE SCREW X 3" LONG
18	6	110-FLWI_4-SS	0.002	STAINLESS STEEL	1/4-20 S.S. FLAT WASHER
19	6	110-SLWI_4-SS	0.002	STAINLESS STEEL	1/4-20 SS LOCK WASHER
20	6	107-HXNI_4-20-SS	0.008	STAINLESS STEEL	1/4-20 STAINLESS STEEL HEX NUT
21	6	107-HXNI_4-20ACORN-SS	0.013	STAINLESS STEEL	1/4-20 S.S. Low Crown Acorn Nut
22	2	114-94975A789	0.288	STAINLESS STEEL	PIN, S.S. QUICK RELEASE PIN
23	2	114-9489T18	0.025	ZINC-PLATED STEEL	1/4-20 OPEN EYE BOLT
24	12	110-FLWI_2-SS	0.018	STAINLESS STEEL	1/2-13 S.S. FLAT WASHER
25	2	101-HHCI_2-13X4-SS	0.262	STAINLESS STEEL	1/2-13 SS HEX HEAD BOLT X 4.000 LONG
26	2	107-HXNI_2-13NYLOCK-SS	0.057	STAINLESS STEEL	1/2-13 STAINLESS STEEL NYLOCK NUT
27	8	111-SLWI_2-GALV	0.013	STAINLESS STEEL	1/2-13 GALV. LOCK WASHER
28	8	101-HHCI_2-13X1.25-SS	0.109	STAINLESS STEEL	1/2-13 SS HEX HEAD BOLT X 1.250 LONG

Standard Installation Complete
SEE NEXT PAGE FOR VALUABLE SAFETY TIPS RELATED TO
SOCCER GOALS

Soccer Goal Safety Tips

- * Remove nets when goals are not in use.
- * Verify structural integrity and check for secure connecting hardware before every use. Replace damaged or missing parts and/or fasteners immediately.
- * NEVER allow anyone to climb on the net or goal framework.
- * Ensure safety/warning labels are clearly visible (placed under the crossbar and on the sides of the front-posts at eye level).
- * Fully disassemble goals for seasonal storage.
- * Exercise extreme caution and provide adequate manpower when moving goals. Only authorized and properly trained personnel should move soccer goals.

REPLACEMENT PARTS

Contact us at 1-401-651-7702 for replacement hardware.



Crossbar, LLC
3140 w 8th Ave
Denver, CO 80204
www.crossbar.life
hello@crossbar.life