

CROSSBAR

Soccer Goal with Optional Mobility Kit Installation Notes

SG824R (SG4950), SG721R, SG618R

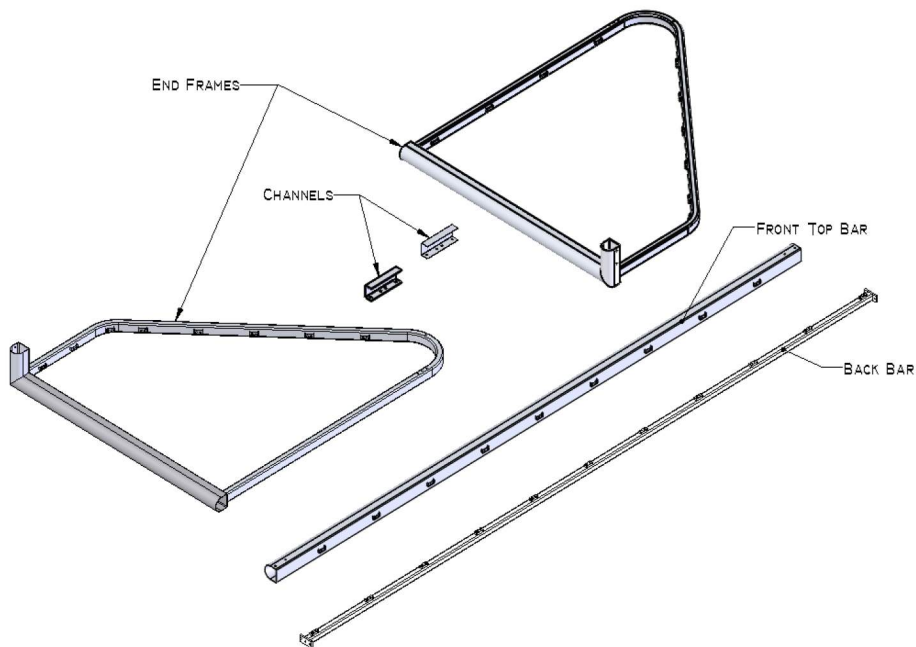


Figure 1

1. Begin by laying out all of the soccer goal components. Place the end frames far enough apart to fit the top crossbar between them with the net clips facing outwards. Place one channel at each connection. (Fig. 1).

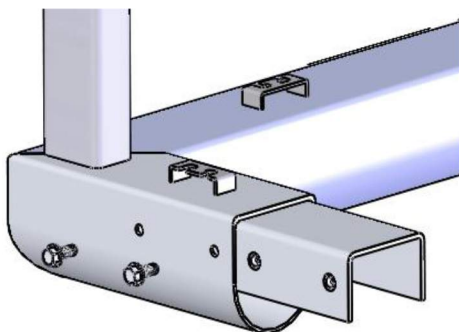


Figure 2A

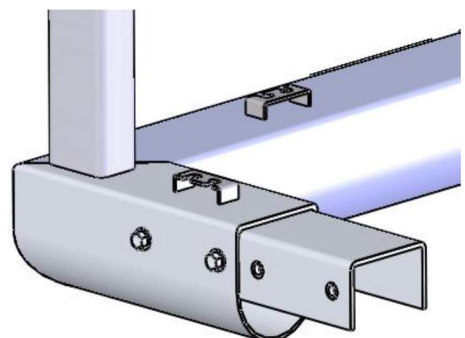


Figure 2B

2. Use (2) 3/8" – 16 x 1" serrated hex bolts to attach the top bar channel to the inside of each end frame (Figs. 2A & 2B). **Note: Do not tighten hardware until all bolts are in place.**

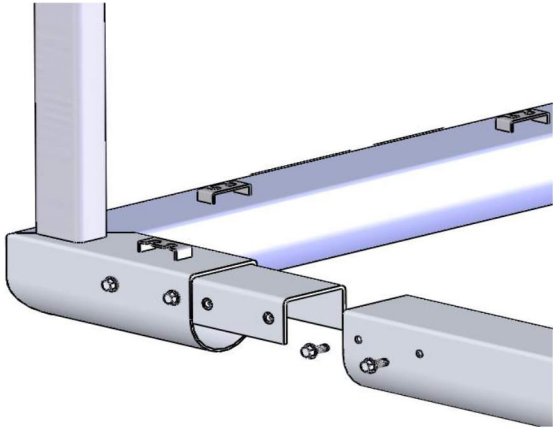


Figure 3A

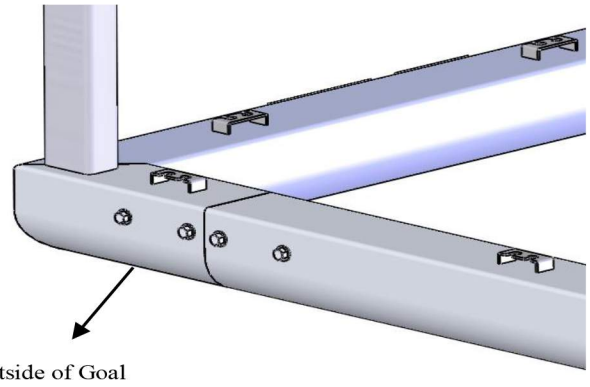


Figure 3B

3. Connect the end frames to the crossbar by sliding the crossbar over the channel (Fig. 3A), confirm all net clips are facing toward the outside of the goal. Use (2) 3/8" – 16 x 1" serrated hex bolts to attach the crossbar to each end frame (Fig. 3B). Tighten all hardware.

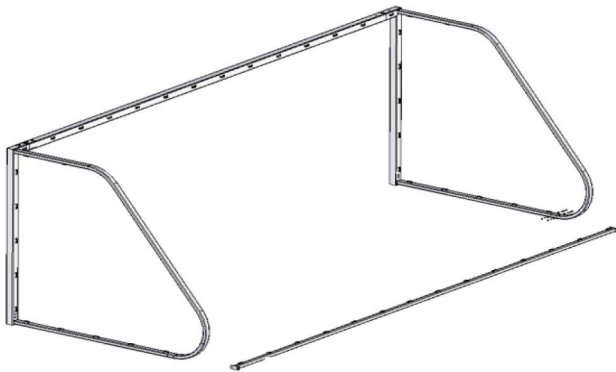


Figure 4

4. Before attaching the ground bar to the goal, carefully flip the goal into the proper position by lifting up on both ends of the crossbar. Place the ground bar between the two end frames (Fig. 4).

5. Attach the ground bar to the end frames with (2) 3/8"-16 x 4-1/2" bolts, (4) 3/8" flat washers, (1) 4952 (Frame Plate), (2) 3/8" lock washers, and (2) 3/8"-16 hex nuts. Verify the net clips are facing toward the outside of the goal. If football and soccer share an end line, position the ground bar on the inside holes. If soccer and football each have their own end line, position the ground bar on the outside holes. Tighten all hardware (Fig. 5).

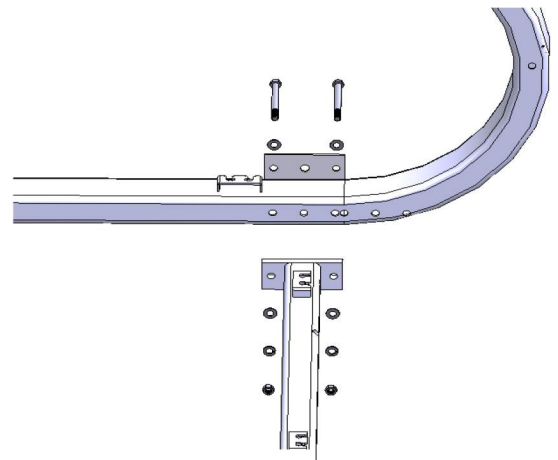
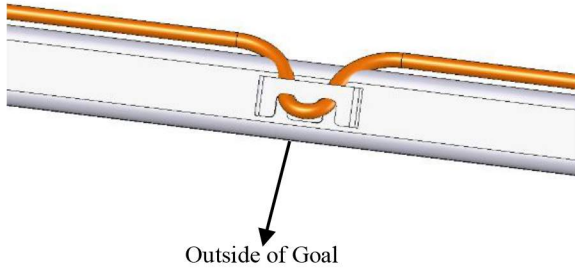


Figure 5

6. With the goal now fully assembled, place the net flat on the ground and locate the corners of the net. Locate the centerline of the bound edge that will be attached to the crossbar. The centerline of the binding will be attached to the centerline clip of the crossbar. Lay the soccer goal down on its face, attach the net by first pushing the outer binding through the clip, then securing in the groove (Fig. 6). Start in the middle of the goal and attach every other clip, and then go back through and attach the remaining clips. Once clipped, apply weight to the clipped net to stretch material. Next, work down both uprights and then back around the End Frame. Follow the same procedure used for the crossbar. Finish by attaching the net to the Ground Bar.



Outside of Goal

Figure 6

7. Install the goal strap from the inside of the goal. Route the strap through the goal clip as shown below (Figure 7) and loop the strap around the goal frame securing the strap to itself. Stretch the goal strap to the other side of the goal and attach as previously done.

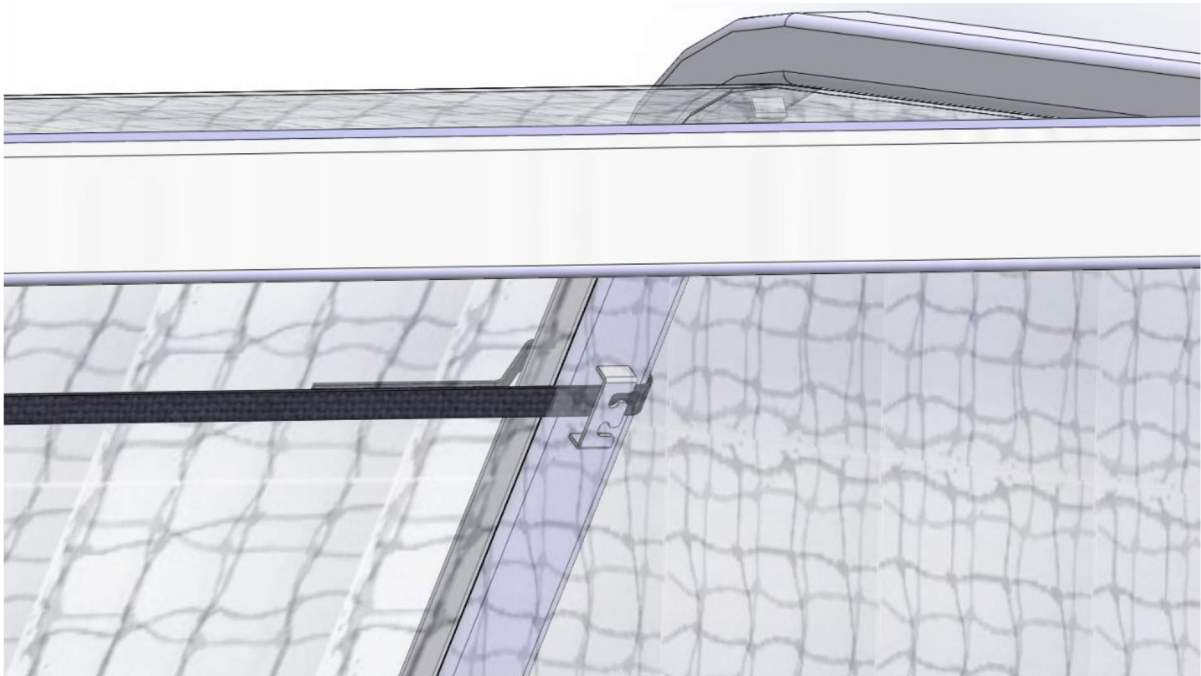


Figure 7

- Standard Installation Complete -

8. **THIS STEP IS FOR NATURAL GRASS SYSTEMS ONLY.** The final step is to anchor the goal to the ground preventing it from moving and/or tipping over. Put the goal into position and install the natural grass anchor system consisting of two (2) anchor pins. Drive the anchor pins through holes in the back bar and into the ground (Fig. 8).

****FOR IN-FILL TURF ANCHORING, PLEASE ASK US ABOUT OUR PATENT PENDING SG2S™ SOCCER GOAL SAFETY SYSTEM**

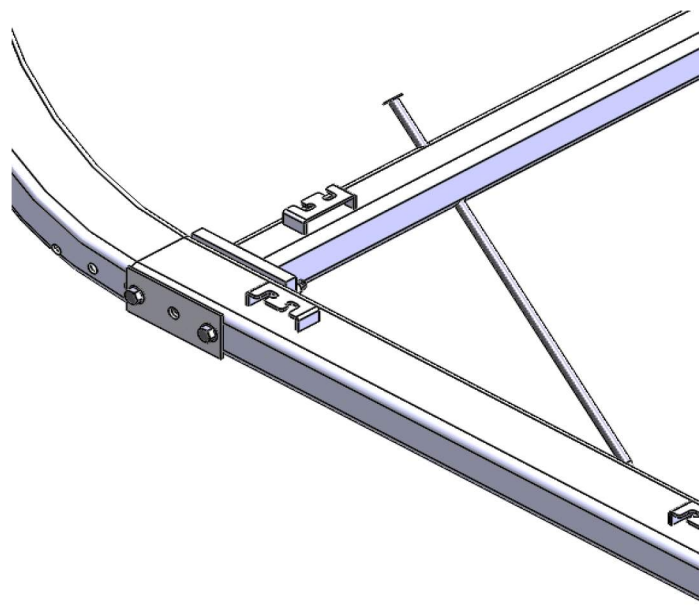


Figure 8

Optional Mobility Kit

Tools Required

The following tools will be required to install the Mobility Kit:

- Adjustable Wrench
- Needle Nose Pliers
- Full set of Allen Wrenches

Items Provided

Verify that the following items are included with the Mobility Kit you received:

- (2) Roller/Tube Assemblies (Fig. 3)
- (2) Ring clips pre-assembled to hold in pull pin (Fig. 4)
- (2) Handles with hardware (Fig. 2)

Install Process

1. Remove rollers from the support tube assembly by removing the bolt, nut, and washer; retain these for re-assembly later. Also remove the ring clip from the pull pin and set aside for re-assembly.

2. Insert the tube assembly, **without the roller or pull pin assembly**, into the bottom of the front goal post. Line up with the lower hole, then, by reaching your hand up through the tube assembly, reinsert the spring loaded pull pin assembly. Locate the hole in the pin towards the rear of the soccer goal front post washer and spring remain in the proper position on the slide assembly). This will allow the stainless steel pull pin to extend past the front post exposing a hole for the previously removed ring clip (Fig 5).

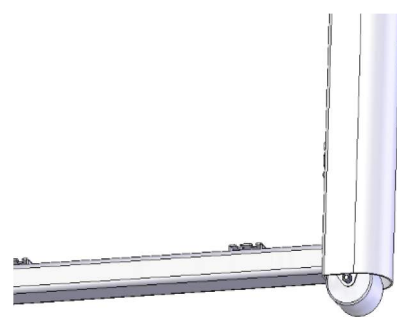


Figure 1 – SGMKR Mobility Kit

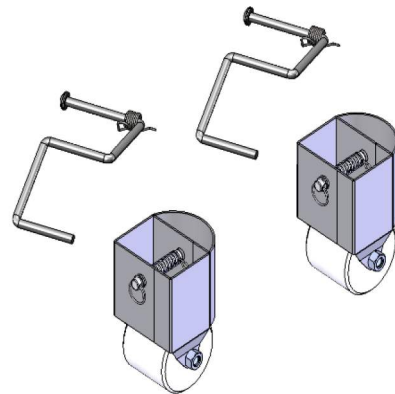


Figure 2 – Mobility Parts

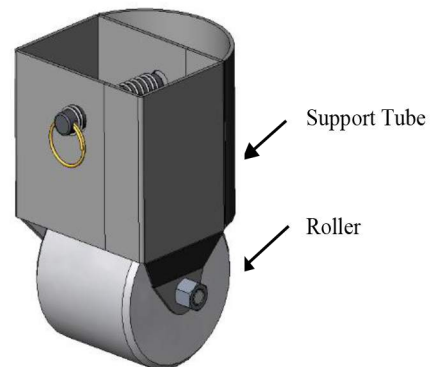


Figure 3 – Roller/Tube Assembly

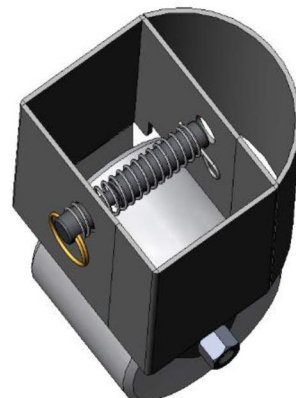


Figure 4 – Locating Pin in Tube Assembly

3. With the pin in place, re-insert the ring clip into the hole by rotating it into position. Once the clip is in place, release the assembly allowing the tube assembly to lock into place in the front post.

4. Re-assemble the roller and tube assembly using the hardware removed in Step 1.

5. Assemble the supplied handles to the end frame using (2) nylon washers, springs, and 3/8" push caps. Install the handle in the hole provided on the Soccer goal end frame (Figs. 6 & 7).

6. Duplicate Steps 1 through 5 for the opposite end frame.

7. With both sides of the soccer goal complete, the rollers can be moved up or down simply by pulling the ring clip and pin outward and sliding the entire roller/tube assembly either up or down in the slot (Fig. 5). Please make sure that all weight has been removed from the assembly prior to changing locations.

8. Using the handles, two can easily pull the goal to its playing location or storage area.

IMPORTANT: The rollers should always be in the up position while in storage or while in use for game or practice.

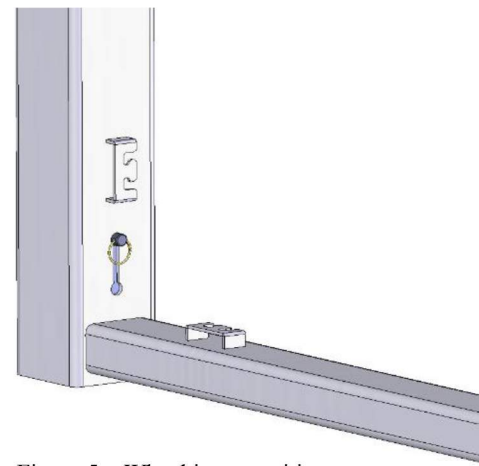


Figure 5 – Wheel in up position

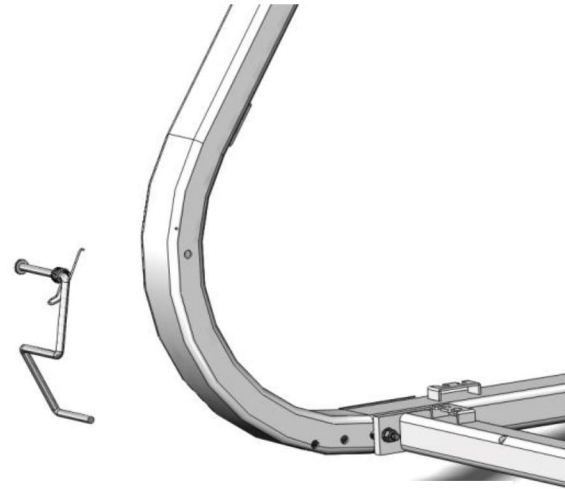


Figure 6 – Handle & end frame

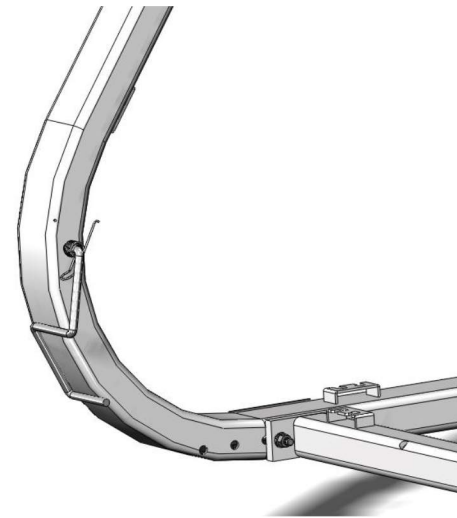


Figure 7 – Handle on end frame

SEE NEXT PAGE FOR VALUABLE SAFETY TIPS RELATED TO PORTABLE SOCCER GOALS

Soccer Goal Safety Tips

- * Securely anchor, with pins and/or counterweights, movable soccer goals at ALL times.
- * Anchor or chain goals together, to themselves in a folded down position, or to a nearby fence post, dugout, or any other sturdy structure when not in use. If this is not practical, store movable soccer goals in a place where children will not have access to them.
- * Remove nets when goals are not in use.
- * Verify structural integrity and check for secure connecting hardware before every use. Replace damaged or missing parts and/or fasteners immediately.
- * NEVER allow anyone to climb on the net or goal framework.
- * Ensure safety/warning labels are clearly visible (placed under the crossbar and on the sides of the front-posts at eye level).
- * Fully disassemble goals for seasonal storage.
- * Exercise extreme caution and provide adequate manpower when moving goals. Only authorized and properly trained personnel should move soccer goals.
- * Always instruct players regarding the safe handling of and the potential dangers associated with movable soccer goals.
- * Movable soccer goals should only be used on LEVEL (flat) fields.

REPLACEMENT PARTS

Contact us at 1-401-651-7702 for replacment parts.



Crossbar, LLC
3140 W 8th Ave
Denver, CO 80204
www.crossbar.life
hello@crossbar.life