

CROSSBAR

Futsal Goal Installation Notes FG610R

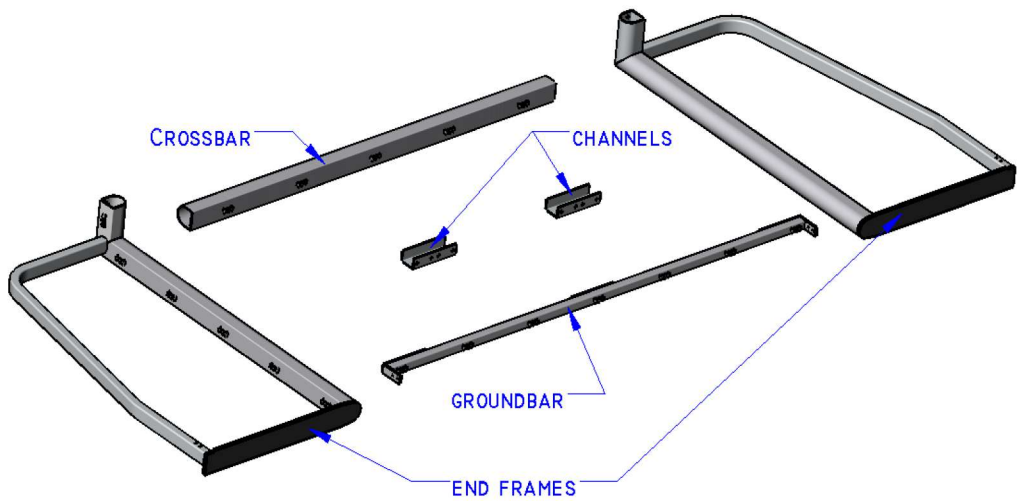


Figure 1

1. Begin by laying out all of the futsal goal components. Place the end frames far enough apart to fit the top crossbar between them with the net clips facing outwards. Place one channel at each connection. (Fig. 1).

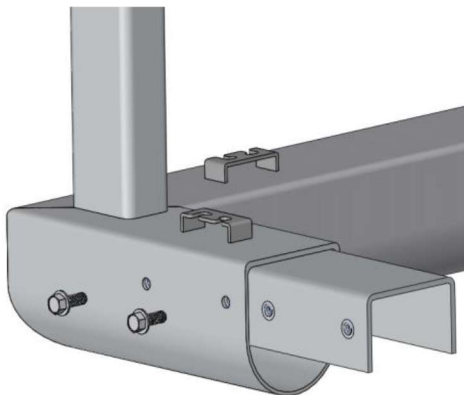


Figure 2A

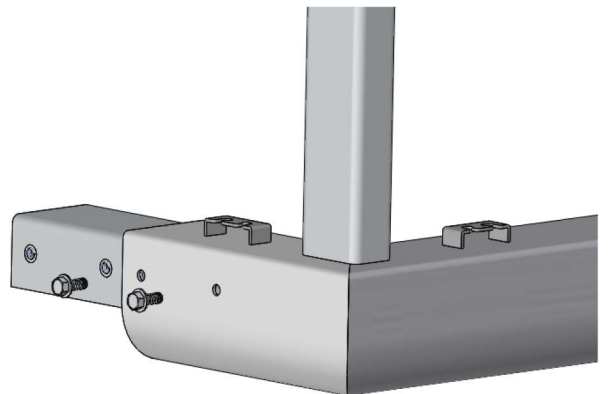


Figure 2B

2. Use (2) 3/8" – 16 x 1" serrated hex bolts to attach the top bar channel to the inside of each end frame (Figs. 2A & 2B). **Note: Do not tighten hardware until all bolts are in place.**

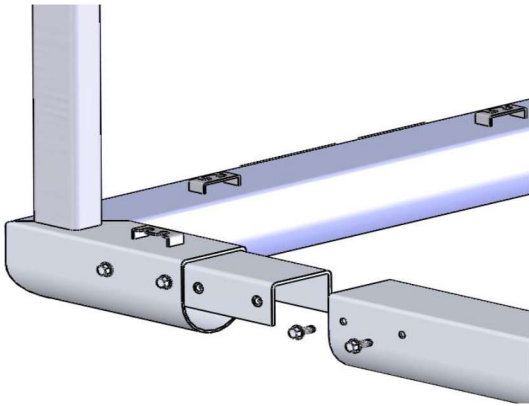


Figure 3A

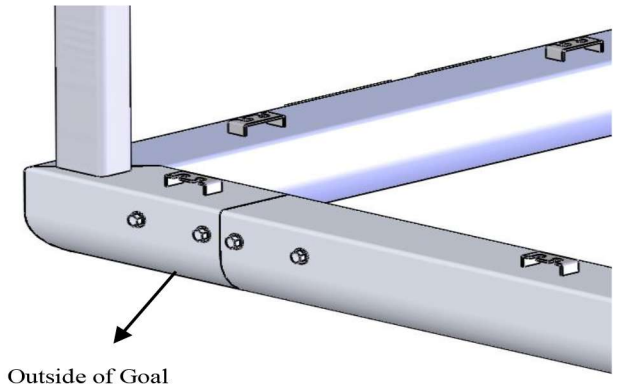


Figure 3B

3. Connect the end frames to the crossbar by sliding the crossbar over the channel (Fig. 3A), confirm all net clips are facing toward the outside of the goal. Use (2) 3/8" – 16 x 1" serrated hex bolts to attach the crossbar to each end frame (Fig. 3B). Tighten all hardware.



Figure 4

4. Before attaching the ground bar to the goal, carefully flip the goal into the proper position by lifting up on both ends of the crossbar. Place the ground bar between the two end frames (Fig. 4).

5. Attach the ground bar to the end frames with (2) 3/8"-16 x 4-1/2" bolts, (4) 3/8" flat washers, (2) 3/8" lock washers, and (2) 3/8"-16 hex nuts. Verify the net clips are facing toward the outside of the goal. Tighten all hardware (Fig. 5).

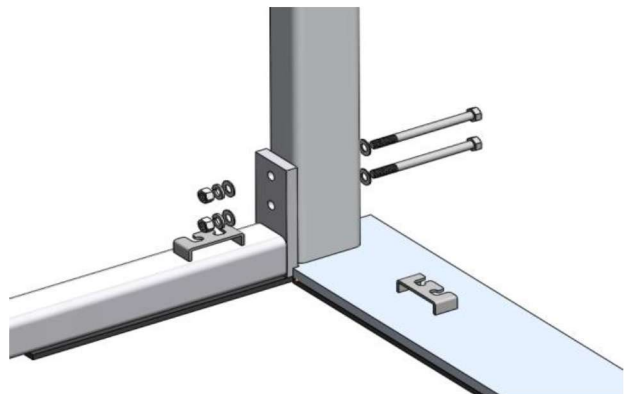


Figure 5

6. With the goal now fully assembled, place the net flat on the ground and locate the corners of the net. Locate the centerline of the bound edge that will be attached to the crossbar. The centerline of the binding will be attached to the centerline clip of the crossbar. Lay the goal down on its face and attach the net by first pushing the outer binding through the clip, then securing in the groove (Fig. 6). Start in the middle of the crossbar and move outward, attaching every other clip, and then go back through and attach the remaining clips. Once clipped, apply weight to the clipped net to stretch material. Next, work down both uprights, ensuring that the net is on the outside of the End Frame. Follow the same procedure used for the crossbar. Finish by attaching the net to the Ground Bar in the same manner.

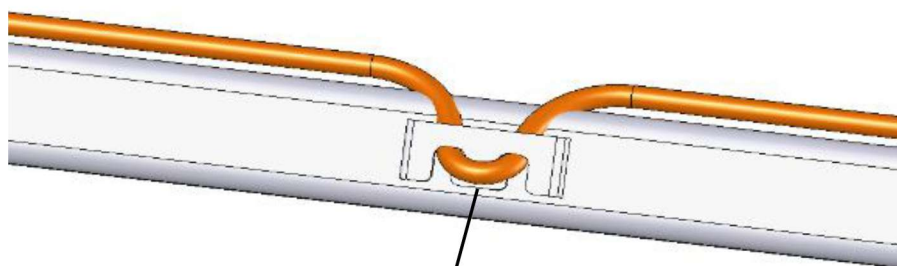


Figure 6

Outside of Goal

Standard Installation Complete –

SEE NEXT PAGE FOR VALUABLE SAFETY TIPS RELATED TO PORTABLE FUTSAL GOALS

Futsal Goal Safety Tips

- * Securely anchor, with pins and/or counterweights, movable futsal goals at ALL times.
- * Anchor or chain goals together, to themselves in a folded down position, or to a nearby fence post, dugout, or any other sturdy structure when not in use. If this is not practical, store movable futsal goals in a place where children will not have access to them.
- * Remove nets when goals are not in use.
- * Verify structural integrity and check for secure connecting hardware before every use. Replace damaged or missing parts and/or fasteners immediately.
- * NEVER allow anyone to climb on the net or goal framework.
- * Ensure safety/warning labels are clearly visible (placed under the crossbar and on the sides of the front-posts at eye level).
- * Fully disassemble goals for seasonal storage.
- * Exercise extreme caution and provide adequate manpower when moving goals. Only authorized and properly trained personnel should move soccer goals.
- * Always instruct players regarding the safe handling of and the potential dangers associated with movable soccer goals.
- * Movable futsal goals should only be used on LEVEL (flat) fields.

REPLACEMENT PARTS

Contact us at 1-401-651-7702 for replacement parts.



Crossbar, LLC
3140 W 8th Ave
Denver, CO 80204
www.crossbar.life
hello@crossbar.life